

TANKS ARE DESIGNED TO BE USED IN A HORIZONTAL POSITION. RECTANGULAR TANKS USED IN VERTICAL POSITION MAY REQUIRE ADDITIONAL WALL THICKNESS OR EXTERNAL SUPPORT

TANKS ARE NOT RATED FOR GASOLINE OR AROMATIC SOLVENTS

TANK RESINS ARE FULLY UV STABILIZED

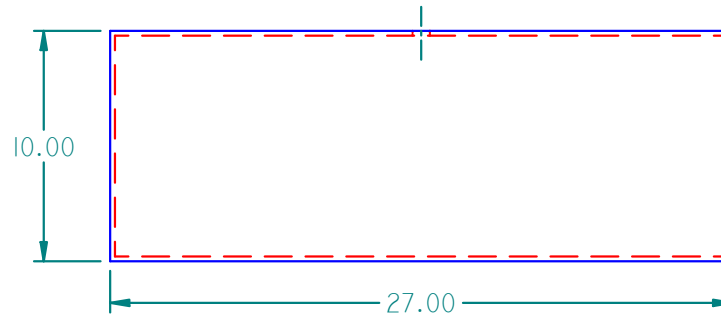
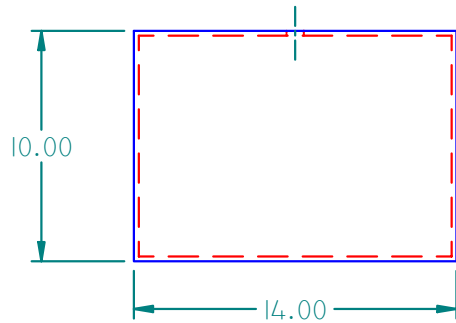
MOST SIZE TANKS ARE AVAILABLE IN STANDARD WALL THICKNESS SHOWN OR HEAVY DUTY

ALLOW +/- 1% ON TANK DIMENSIONS FOR OVERALL SIZE VARIANCES

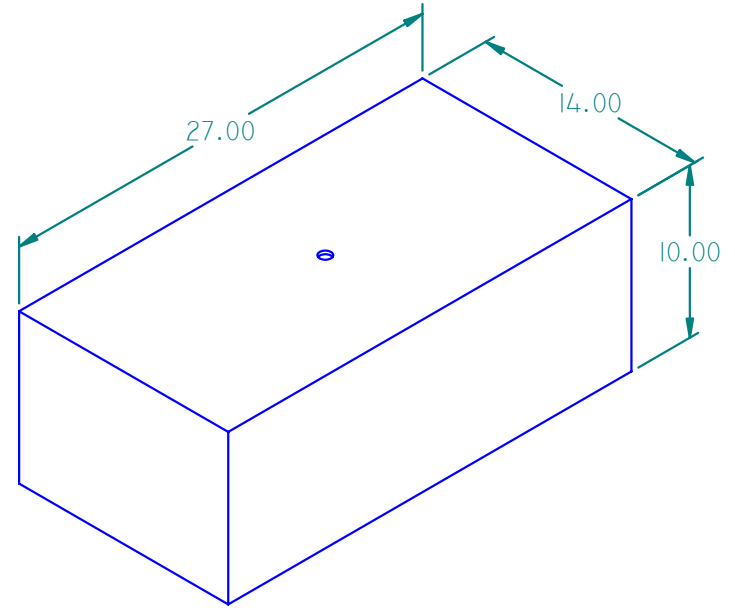
VENT HOLE ON TANK WILL BE WELDED SHUT IF NOT USED FOR FITTING LOCATION

TANK PLASTIC RESIN IS FDA COMPLIANT BASED ON MANUFACTURER'S SPECIFICATIONS

TANKS MEET ABYC AND USCG REQUIREMENTS FOR MARINE WATER AND HOLDING TANK APPLICATIONS



REVISION HISTORY			
REV	DESCRIPTION	DATE	APPROVED



ISO VIEW 207016

TANK CAPACITY: 15 GALLONS				
	NAME	DATE		
DRAWN	MPUTT	4/28/2004		
CHECKED			TITLE 15 GALLON PLASTIC TANK	
ENG APPR			SIZE A	LMDPE NATURAL
MGR APPR				REV
UNLESS OTHERWISE SPECIFIED DIMENSIONS ARE IN INCHES ANGLES $\pm 0.5^\circ$ 2 PL $\pm 0.125"$ 3 PL $\pm 0.060"$			207016	WEIGHT: 10.946 LBM
WALL THICKNESS: .210"			SHEET 1 OF 1	