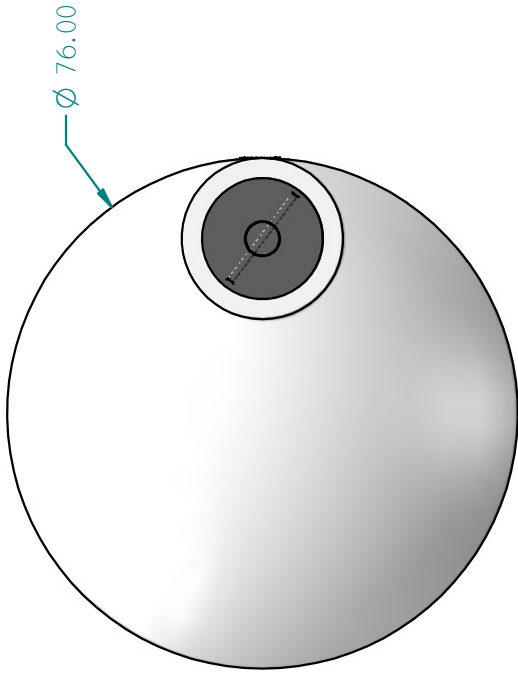
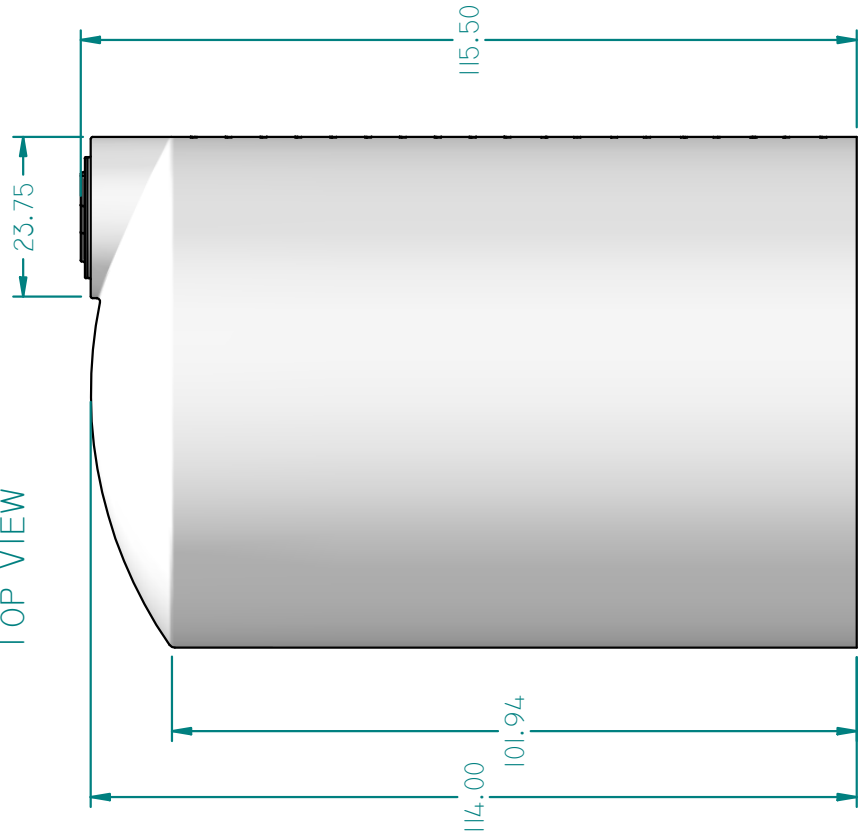


REVISION HISTORY

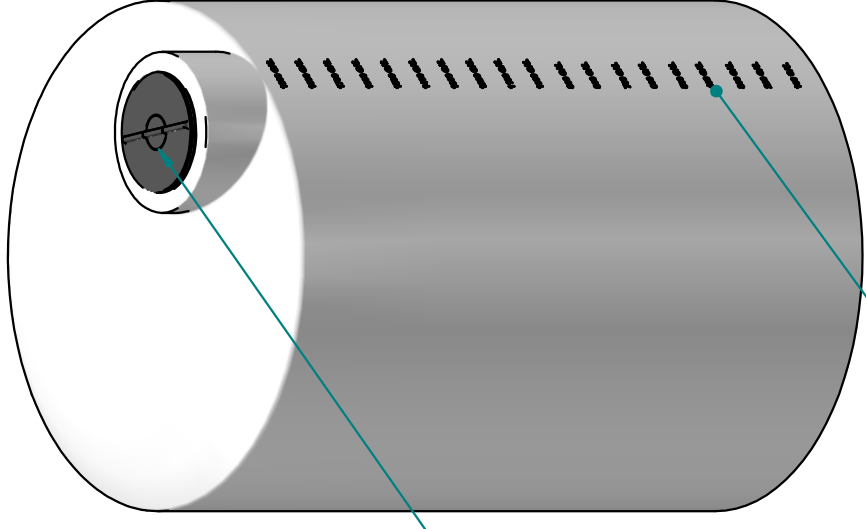
REV	DESCRIPTION	DATE	APPROVED



TOP VIEW



SIDE VIEW



ISO VIEW

16" MANWAY

TANK IS CALIBRATED
IN 100 GAL INCREMENTS

NAME	DATE
DRAWN MNEGRON	12/7/2005
CHECKED	
ENG APPR	
MGR APPR	

UNLESS OTHERWISE SPECIFIED
DIMENSIONS ARE IN INCHES
ANGLES ±0.5°
2 PL ±0.125" 3 PL ±0.060"

WALL THICKNESS: 0.280"

TITLE	V-2200 GALLON TANK
SIZE	A
MATERIAL	HDPE NATURAL (200)
REV	

FILE NAME: 902200.DFT

PART #: 902200 WEIGHT: 224.994 LBS SHEET 1 OF 1