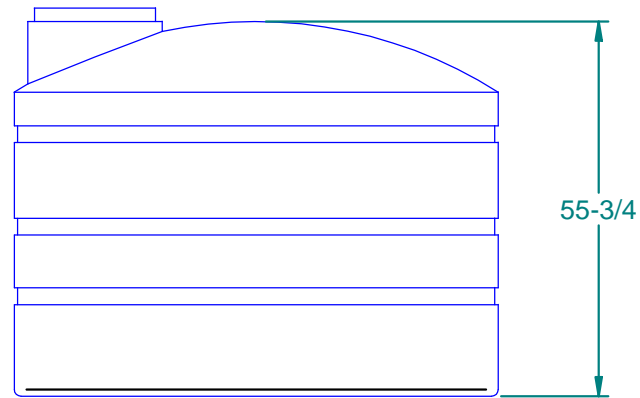
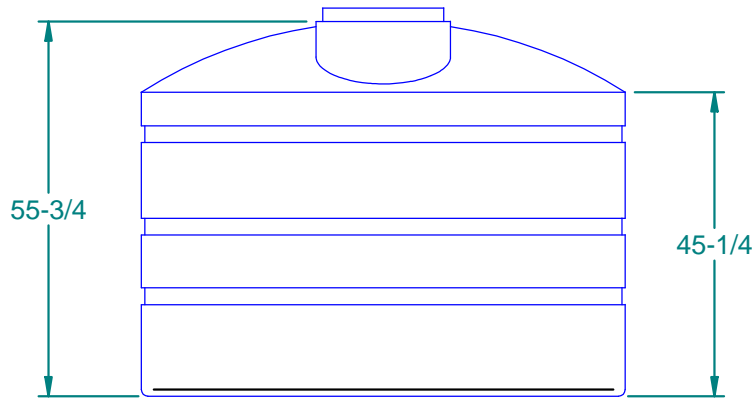
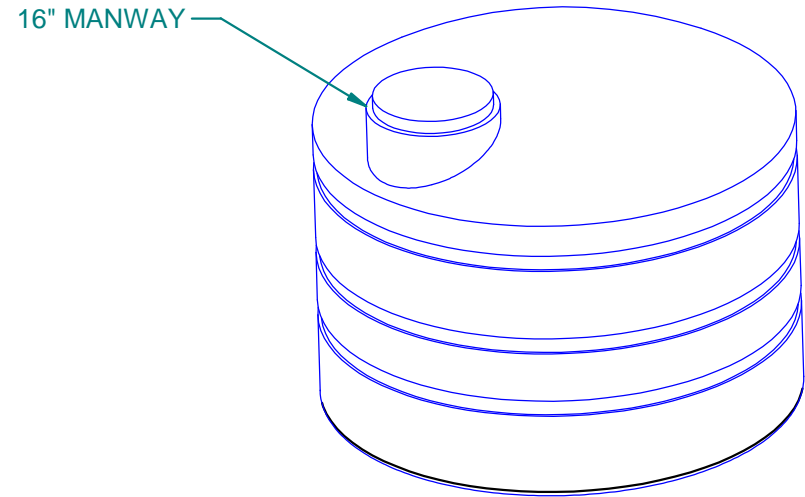
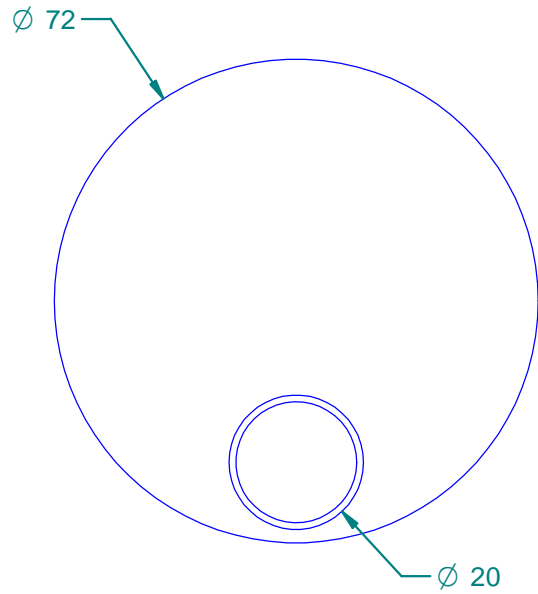



REVISION HISTORY

REV	DESCRIPTION	DATE	APPROVED	Revised By
A	Initial Design Release	5/8/2006		



Weight: N/A		NAME	DATE	 <i>Innovative Plastic Solutions</i> Dura-Cast Products, Inc. E-900 Gallon Vertical Tank V900 (910900).dft
Wall Thickness: N/A	DRAWN By:	mnegron	5/8/2006	
Customer Part No: N/A	Customer APPR			
Print Date: 9/18/2007	MFG APPR			
Comments:	Tolerance: UNLESS OTHERWISE SPECIFIED DIMENSIONS ARE IN INCHES $\pm 1\%$ Std Radii 3/16"			Material: Polyethylene, LMDPE 8460 A
				910900 I OF I