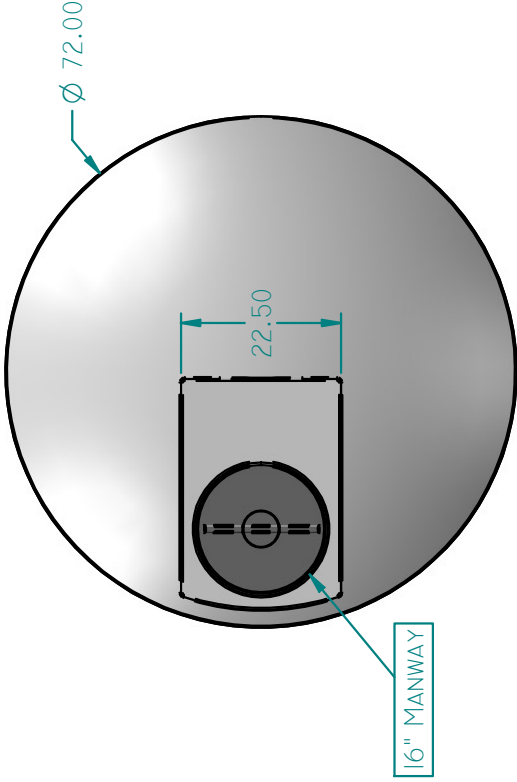
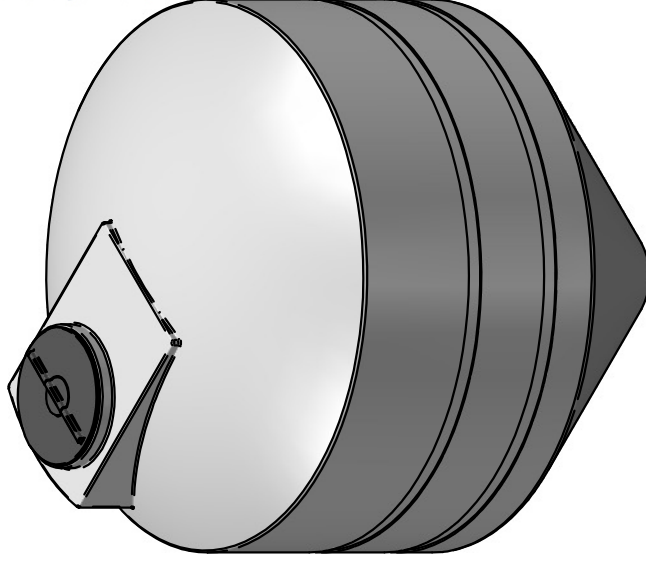


REVISION HISTORY

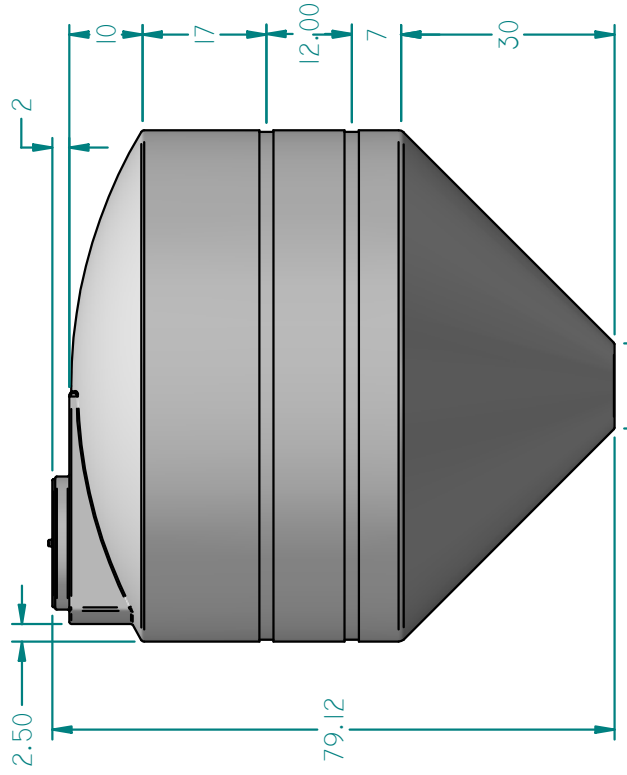
REV	DESCRIPTION	DATE	APPROVED



TOP VIEW



ISO VIEW



SIDE VIEW

NAME	DATE
DRAWN MPUTT	2/18/2005
CHECKED	
ENG APPR	
MGR APPR	

UNLESS OTHERWISE SPECIFIED
DIMENSIONS ARE IN INCHES
ANGLES $\pm 0.5^\circ$
2 PL $\pm 0.125"$ 3 PL $\pm 0.060"$

TITLE	900 GALLON CONE TANK 1.2 SPG
SIZE	A
MATERIAL	HDPE NATURAL
REV	

FILE NAME: C900 TANK.DFT

PART #	930900	WEIGHT	197.071 LB#	SHEET	1 OF 1
--------	--------	--------	-------------	-------	--------

WALL THICKNESS: .250"