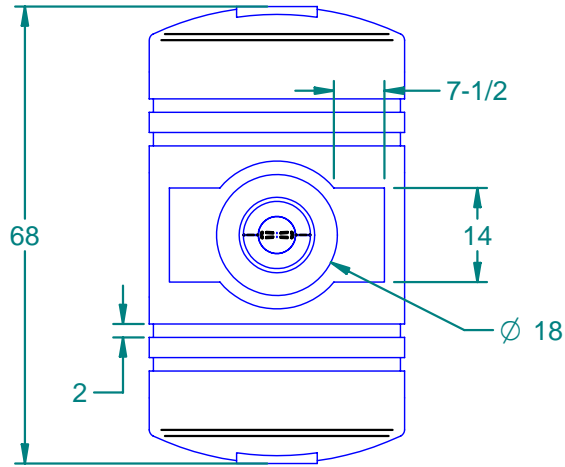
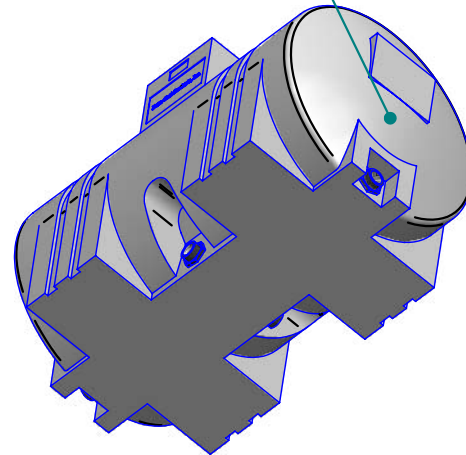


REVISION HISTORY

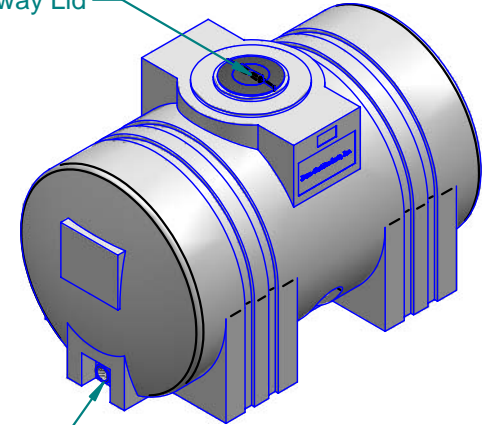
REV	DESCRIPTION	DATE	APPROVED



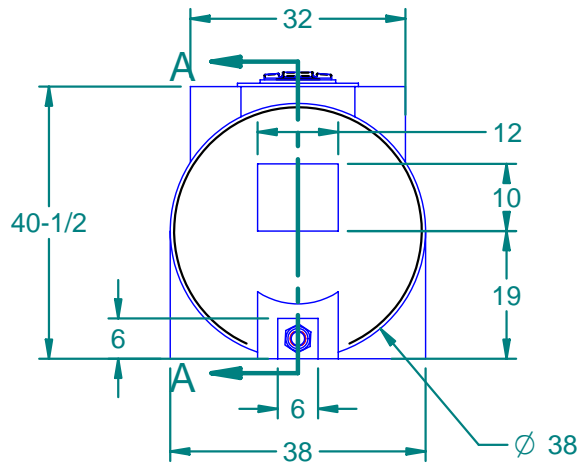
Gallons Calibration  
25 Gal Intervals  
Typical Both Ends  
(not shown)



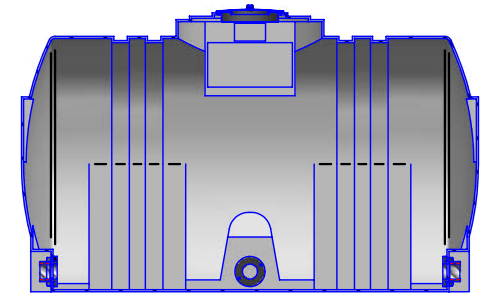
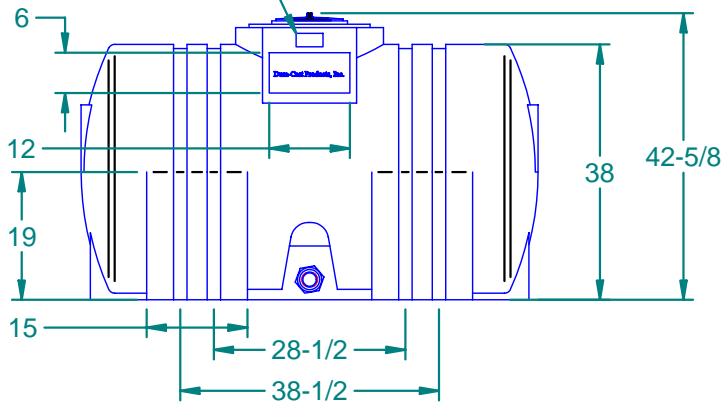
8" Manway Lid



2" Bulkhead Fitting



Dura-Cast Label



SECTION A-A

Weight:		NAME	DATE	
Wall Thickness:	DRAWN By:			
Customer Part No.:	Customer APPR			
Print Date:	MFG APPR			
Comments:	Tolerance:			
		Material:	Rev:	